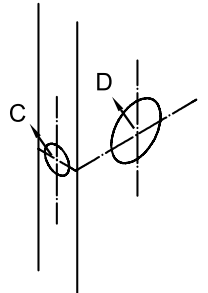


S Range Deadbolt Installation Instructions

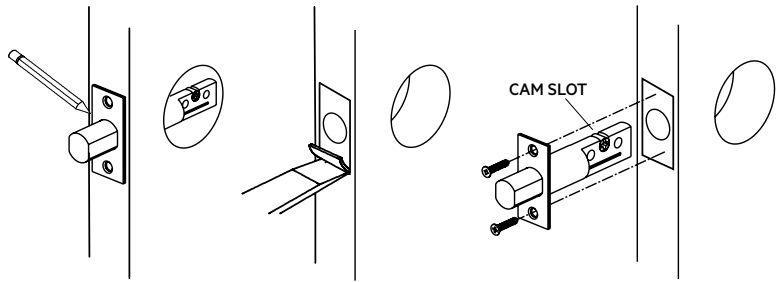
1 DOOR PREPARATION

- Cut template (*overleaf*) on line (A) and fold line (B) on the door edge.
- Position template at your preferred height and mark drill points of deadbolt latch (C) and centre of handle hole (D) choosing either a 60 or 70mm backset (distance from edge of door to centre of handle).
- Using 25mm spade bit drill hole through (C) the door edge and with a holesaw drill a 54mm hole through (D) the door face. For this hole it is best to drill from both sides and meet in the middle. Accuracy is vital, so mark and measure carefully and drill holes level.



2 INSTALLING THE DEADBOLT LATCH

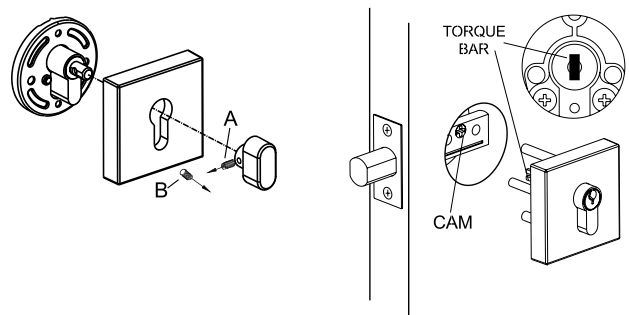
- Place deadbolt latch into 25mm hole on edge of the door and using sharp pencil mark door around the rectangle plate.
- Using a hammer and chisel remove enough timber so that the latch fits into the newly created recess and finishes flush with door.
- Once completed push latch into place and drill 2mm pilot holes into edge of door and secure with screws provided.



! Cam slot must be at the TOP when installed

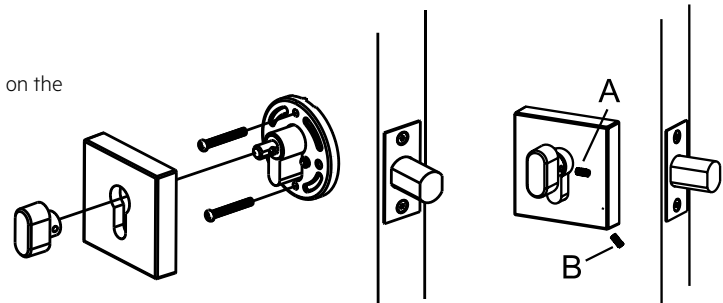
3 INSTALL CYLINDER

- Loosen the screws (A) and pull out the knob (if have), loosen the screws of cover (B) and pull out the cover
- Keeping cylinder torque bar vertical install in to cam slot.



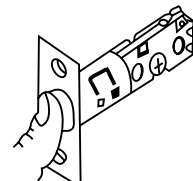
4 INSTALL INSIDE CYLINDER

- Install cover on the lock and tighten screws (B), then put the knob on the lock and tighten screws (A).



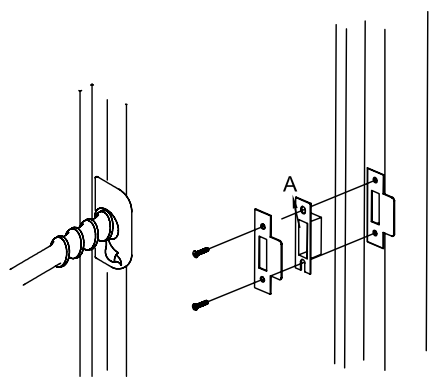
5 ADJUSTING DEADBOLT FOR 60 OR 70MM BACKSET

- Pressing the end of the deadbolt, turn the latch cover. Pull or push to make the backset 60mm or 70mm



6 INSTALLING THE STRIKE

- Mark on the door jamb the height and position of where the latch will bewhen the door is closed. Drill a 22mm hole or chisel out enough wood to create a strike hole to insert the dust box (A) and for the latch to engage and hold the door shut.
- Place the strike plate over the hole and mark around using a sharp pencil. Recess into place using a hammer and chisel. Secure with the screws provided.



S Range Passage Set Installation Template

